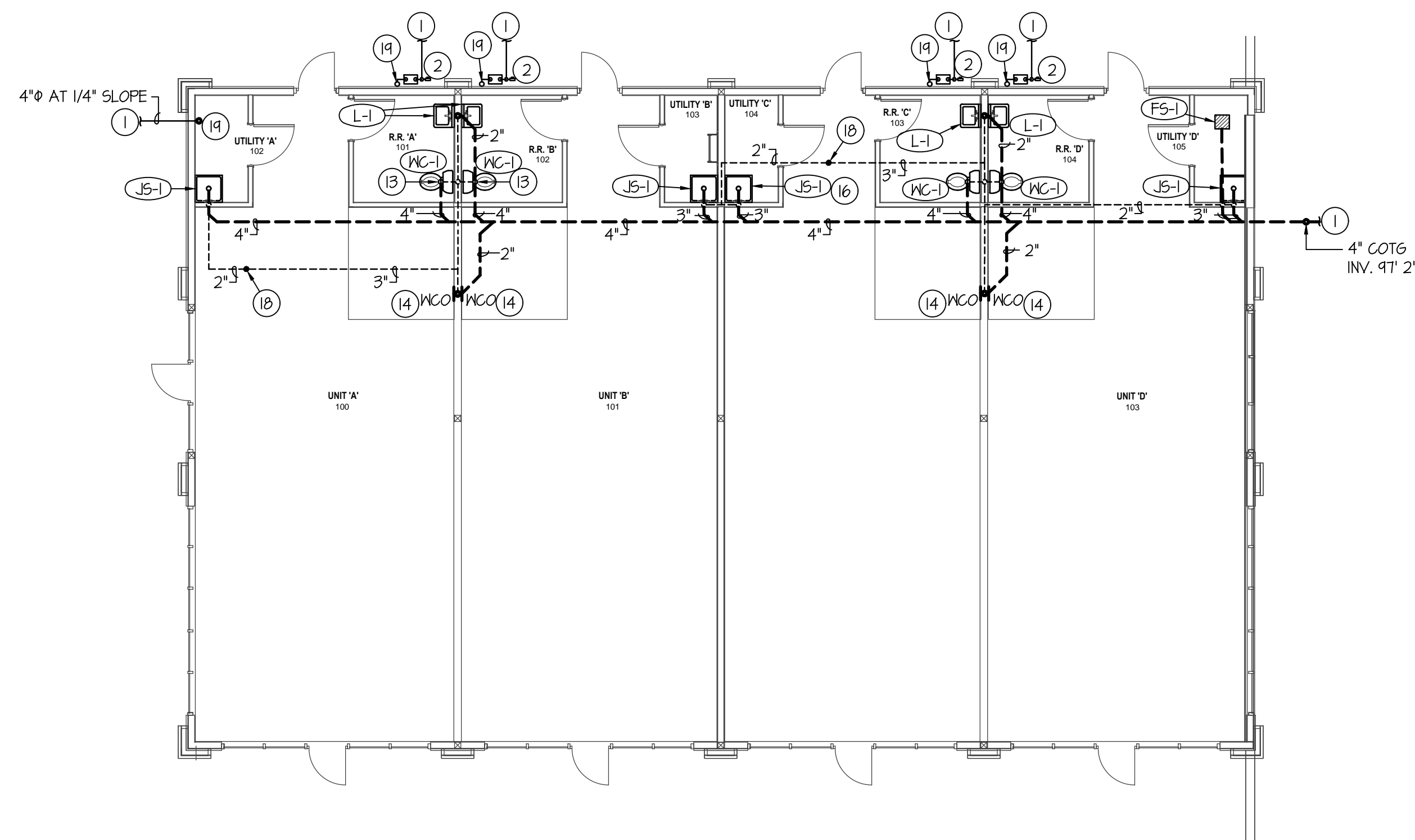


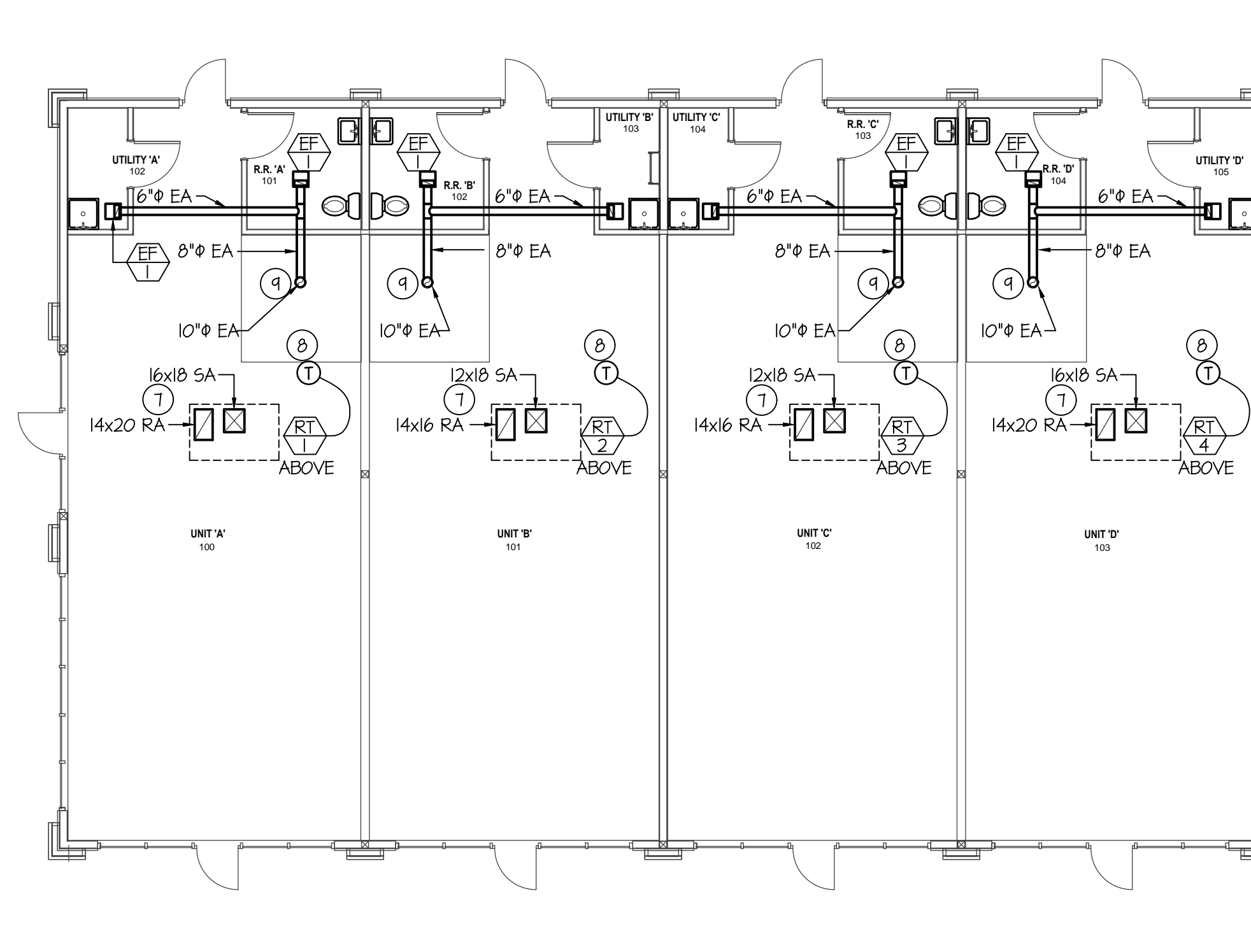
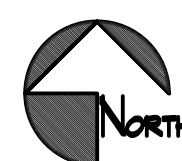
**PLAN NOTES:**

- 1 SEE CIVIL PLAN FOR CONTINUATION.
- 2 GAS METER TREE PROVIDED BY LOCAL GAS COMPANY SIZED FOR 65,000 BTU EACH AT OUNCES DELIVERY PRESSURE. KEEP MIN 3" FROM DOOR.
- 3 PROVIDE DUCT DOWN TO CEILING BELOW FOR FUTURE CONNECTION.
- 4 8" Ø EXHAUST DUCT UP THRU ROOF WITH ROOF CAP AND INSECT SCREEN.
- 5 RUN GAS PIPING ON ROOF WITH PILLOW BLOCK EVERY 10'
- 6 COLD WATER LINES AS SHOWN FOR CLARITY. RUN AS HIGH AS POSSIBLE.
- 7 RISE DUCTS AS SHOWN TO RTU ABOVE.
- 8 HANG THERMOSTAT OFF CONDUIT APPROXIMATELY 5' AFF. COIL 30" OF WIRE FOR FUTURE LOCATION.
- 9 8" ROUND DUCT TO ROOF CAP FOR EXHAUST CONNECTION.
- 10 NOT USED
- 11 SEE SHEET MP201 FOR ADDITIONAL WATER HEATER MOUNTING DETAILS.
- 12 RUN PLUMBING IN MEZZANINE SPACE AS MUCH AS POSSIBLE. ROUTE AS SHOWN FOR CLARITY. KEEP CLEAR OF ROOF ACCESS IF APPLICABLE.
- 13 NOT USED
- 14 2" WASTE LINE UP FOR WALL CLEAN-OUT
- 15 1-1/4" CW LINE TO UNIT 'C'
- 16 1-1/4" CW LINE TO UNIT 'D'
- 17 RUN NEW 1" MAIN WATER LINE TO NEW PRESSURE REDUCING STATION. SEE DETAIL ON THIS SHEET FOR INSTALLATION. SEE SITE PLAN FOR CONTINUATION.
- 18 PROVIDE AND INSTALL 4" VTR PENETRATION THRU ROOF.
- 19 RISE ROOF DRAIN OVERFLOW LINE TO ABOVE. SEE ROOF PLUMBING PLAN ON THIS SHEET FOR CONTINUATION.
- 20 RUN WATER LINE AS HIGH AS POSSIBLE.
- 21 RUN ROOF DRAIN AS HIGH AS POSSIBLE.
- 22 CAP FOR FUTURE USE.



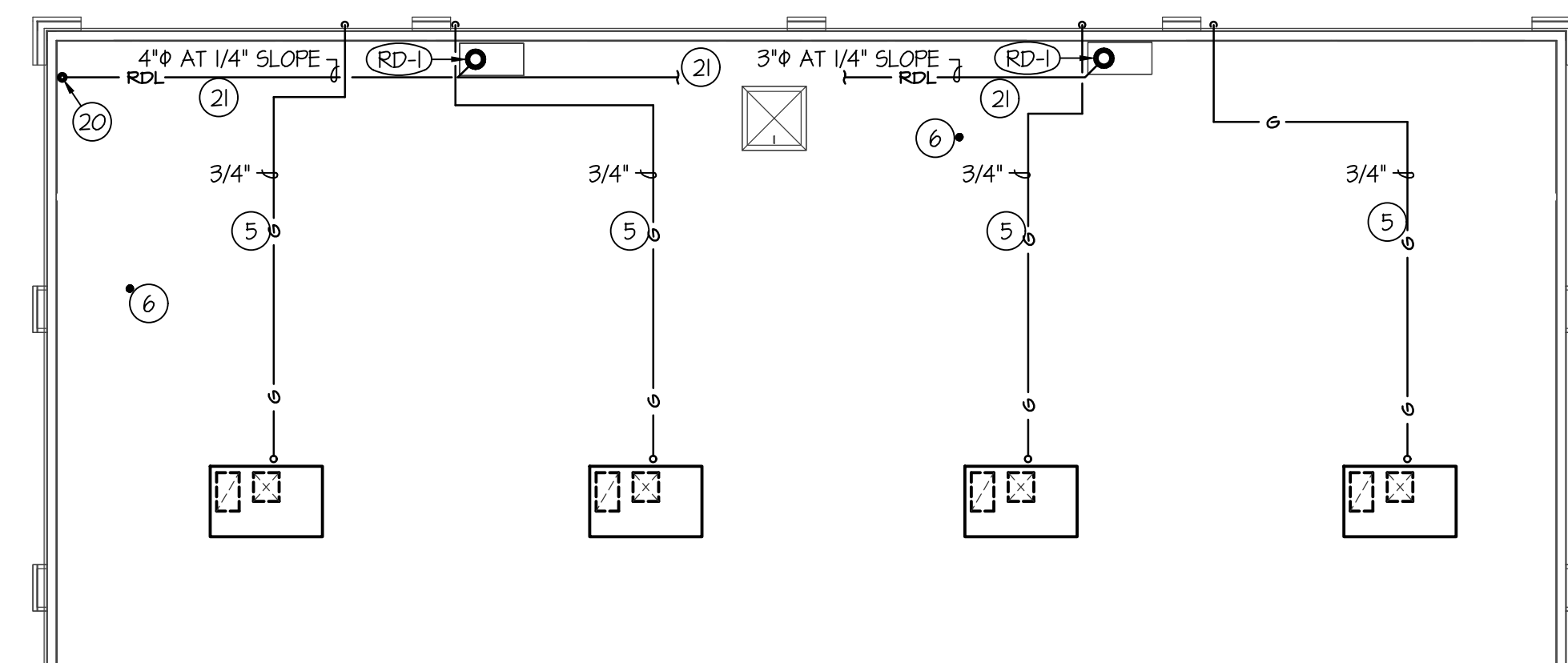
**MAIN LEVEL WASTE & VENT FLOOR PLAN**

SCALE: 1/8" = 1'-0"



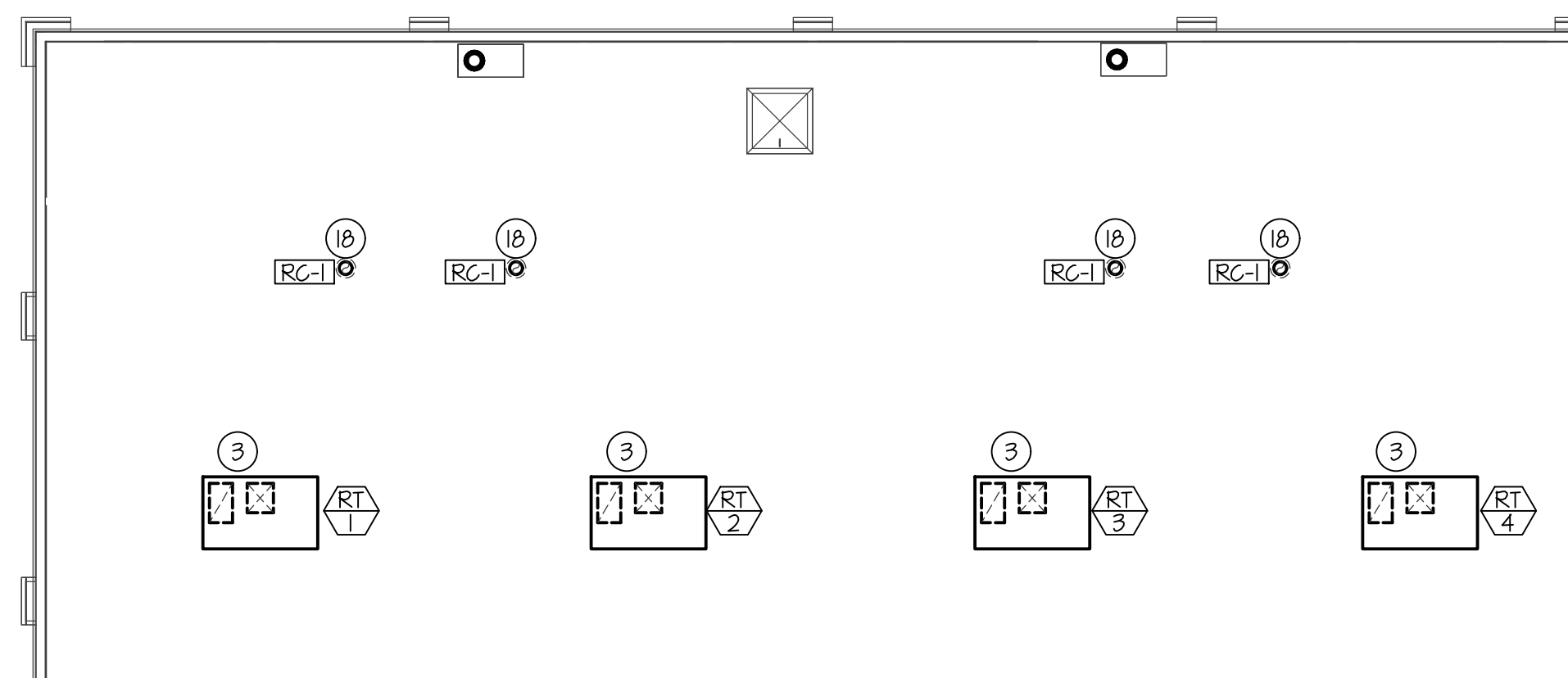
**MAIN LEVEL MECHANICAL FLOOR PLAN**

SCALE: 1/8" = 1'-0"



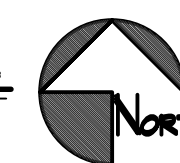
**ROOF PLUMBING PLAN**

SCALE: 1/8" = 1'-0"



**ROOF MECHANICAL PLAN**

SCALE: 1/8" = 1'-0"



**PLUMBING LEGEND**

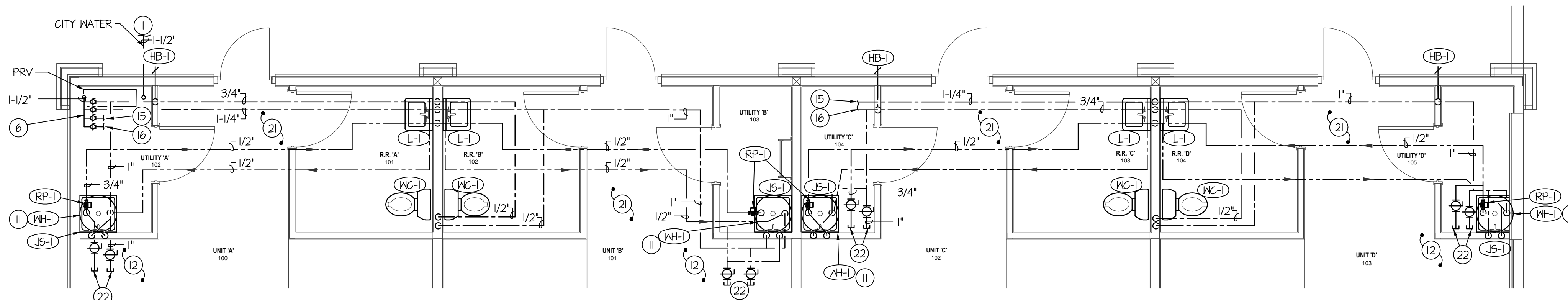
SYMBOL	DESCRIPTION
V	VENT
VTR	VENT THRU ROOF
CO	CLEANOUT
MCO	WALL CLEANOUT
COTG	CLEANOUT TO GRADE
—○—	PIPE DROP
—○—	PIPE RISE
—○—	BALL TYPE ISOLATION VALVE
---	SOIL OR WASTE PIPING
----	VENT LINE PIPING
----	DOMESTIC COLD WATER PIPING
----	DOMESTIC HOT WATER PIPING
----	HOT WATER RECIRC. PIPING
---	GAS PIPING
---	CONDENSATE DRAIN PIPING
---	ROOF DRAIN PIPING
---	ROOF OVERFLOW DRAIN PIPING

**GENERAL NOTES:**

- A- THE CONTRACTOR SHALL CHECK AND VERIFY ALL DIMENSIONS AND CONNECTIONS ON THE JOB SITE. ALL WORK SHALL BE EXECUTED FROM MEASUREMENTS TAKEN AT THE SITE.
- B- THE MECHANICAL CONTRACTOR SHALL BE RESPONSIBLE TO INSURE PROPER CODE CLEARANCES FOR ELECTRICAL AND MECHANICAL ACCESS WHEN INSTALLING ANY EQUIPMENT SUPPLIED BY THE MECHANICAL CONTRACTOR.
- C- IT IS CRITICAL THAT THIS CONTRACTOR COORDINATE EQUIPMENT LOCATIONS WITH PIPING, DUCTWORK, ELECTRICAL CONDUIT AND BUILDING STRUCTURE TO INSURE CODE COMPLIANCE.
- D- CEILING DIFFUSERS ARE SHOWN IN APPROXIMATE LOCATIONS. REFER TO LIGHTING PLANS AND REFLECTED CEILING PLAN FOR EXACT LOCATIONS.
- E- DUCT DIMENSIONS CALLED OUT ON DRAWINGS ARE INSIDE FREE AREA DIMENSIONS. ACOUSTICAL DUCT LINER ARE TO BE ADDED TO OVERALL MEASUREMENTS.
- F- ALL DUCTWORK AND PIPING WHICH PASSES THRU FIRE RATED WALLS TO BE FIRE STOPPED WITH APPROVED FOAM OR SEALANT. REFER TO SPECIFICATIONS FOR APPROVED MANUFACTURER.

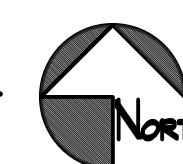
**MECHANICAL LEGEND**

SYMBOL	DESCRIPTION
Ⓢ	ELECTRONIC THERMOSTAT
Ⓢ	EQUIPMENT SYMBOL
HD	HAND DAMPER
Ⓢ	ROUND BRANCH DUCT WITH HAND DAMPER
Ⓢ	INSULATED FLEXIBLE DUCT
Ⓢ	RETURN AIR OR EXHAUST GRILLE
Ⓢ	CEILING DIFFUSER
Ⓢ	ROOF MOUNTED UPBLAST EXHAUST FAN



**LARGE SCALE WATER PLAN**

SCALE: 1/4" = 1'-0"



**REGISTERED PROFESSIONAL ENGINEER**  
No. 32230  
**DWAYNE SUDWORTH**  
STATE OF UTAH

**Engineered Systems Associates**  
355 EAST CENTER  
POCATELLO, IDAHO 83201  
PHONE: (208) 233-0501  
FAX: (208) 233-0529  
EMAIL: eso@engsystems.com  
ESA JOB NUMBER: 19086